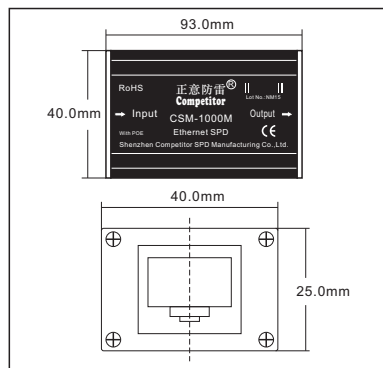
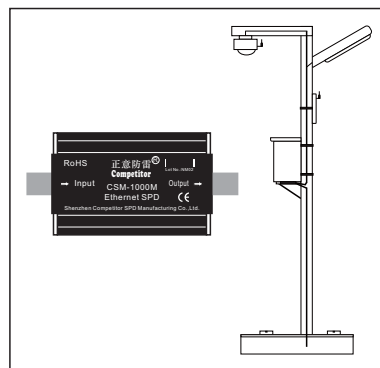


# Ethernet Surge Protection Device

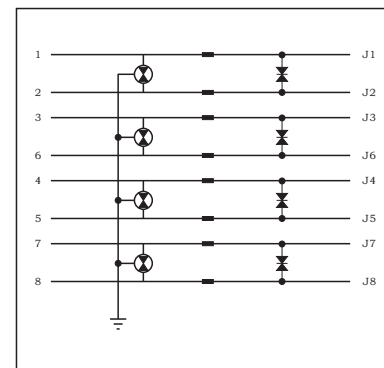
## Product Display



## Application Diagram



## Schematic Diagram



## Product Application

- 5G Base Station System
- High Speed Data System
- Data Acquisition System
- Automation Industrial Equipment
- Outdoor Antenna System
- Signal Collection System
- Fire Alarm Network System
- Communication Network System

## Product Feature

- Failure indication: Comloss
- Installation Type: Track
- Design Based in: IEC61643-21
- Design Based in: UL1449<sup>4th</sup>
- Design Based in: GB/T 18802.21
- Protection: Rapid Technology
- Silk Screen Printing: Laser
- Output Type: RJ45 Junction
- RoHS&REACH Compliant

## General Parameters

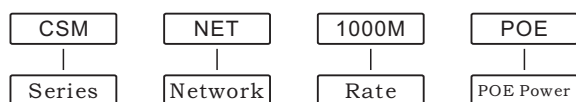
- Response Time: <100ns/<1ns
- Connection Type: Series
- Transmission Speed: 1Gbit/S
- Leakage Current: <1uA
- Protection Mode: Full Mode
- IP Class: IP20
- Above Sea Level: <5000m
- Relative Humidity: <95%(25°C)
- Operating Temp.: -50-+85°C
- Storage Temp.: -55-+125°C

## Product Technical Parameters

| Part Number                                     | CSM-1000M                                     | CSM-1000MPOE |
|---|---|--------------|
| SPD Application                                 | Ethernet Surege Protection Device             |              |
| SPD Working Voltage (Uc)                        | 5Vdc  | 48Vdc        |
| SPD Maximum Continuous Operating Voltage (MCOV) | 6.8Vdc  | 60Vdc        |
| SPD Open Circuit Voltage (Uoc)                  | 10kV  |              |
| SPD Nominal Peak Current In(8/20uS)             | 5kA   |              |
| SPD Maximum Peak Current Imax(8/20uS)           | 10kA  |              |
| SPD Voltage Protection Level (Up)               | Line-Line: <20V/<80V;Line-PE: <300V           |              |
| SPD Load Current (I <sub>L</sub> )              | 250mA   | 1000mA       |
| SPD Differential Mode Protection                | 1-2, 3-6, 4-5, 7-8                            |              |
| SPD Common Mode Protection                      | 1/2/3/4/5/6/7/8-PE                            |              |
| SPD Shell Material                              | Aluminum alloy oxidation treatment            |              |
| SPD Transmission Speed                          | 1000Mbit/S                                    |              |
| SPD Failure Mode                                | Comloss                                       |              |
| SPD Extreme Use Temperature                     | -50°C - +85°C                                 |              |
| SPD Dimension (mm)                              | 93*40*25mm(excluding installation components) |              |

## Ordering Part Number:

Example: CSM-1000MPOE



Note: Ethernet SPD has a variety of shell sizes. for details, please call the business department.

## Product Use and Maintenance

- ◆ Ethernet SPD does not require special maintenance during normal use after installation. Due to the long-term exposure of the product to the air, in order to prevent remote false alarms caused by the failure of the ethernet SPD, its working status should be regularly checked, especially during frequent thunderstorms during the thunderstorm season. if any abnormalities are found, please replace the ethernet SPD of the same specification in a timely manner.
- ◆ When installing the ethernet SPD, please strictly follow the user manual or product specifications as a reference. if you have any questions, please call the manufacturer's technical support engineer. the on-site installation must be carried out by professional personnel complete homework operations.

## Transportation and Storage Environment

1. Please pay attention to waterproof and moisture-proof measures during transportation to avoid infiltration into the packaging and oxidation of the surge protector wire.
2. Be careful not to withstand strong impacts and high-frequency vibrations to avoid damaging the appearance and shape of the product and damaging the surge protector.
3. If the product has been placed for more than one year, it is necessary to re inspect the product according to a strict sampling plan and check whether the lead wire is oxidized.

## Package Information

- 1pcs/bag ● 60box/carton ODM/OEM
  - 2pcs/box ● 45box/carton
- \*Packaging quantity of non-standard products may change, subject to actual delivery.

正意防雷®  
competitor Manufacturer

Tel:+86-755-89587560  
Fax:+86-755-28504421  
Post Code:518112  
E-Mail:support@csmspd.com  
Website:http://www.csmspd.com  
Add:351,Jihua Road SZ City P.R.C.

Thanks for choosing our product. if you need assistance, please contact us and we will handle it as soon as possible. Thank you!